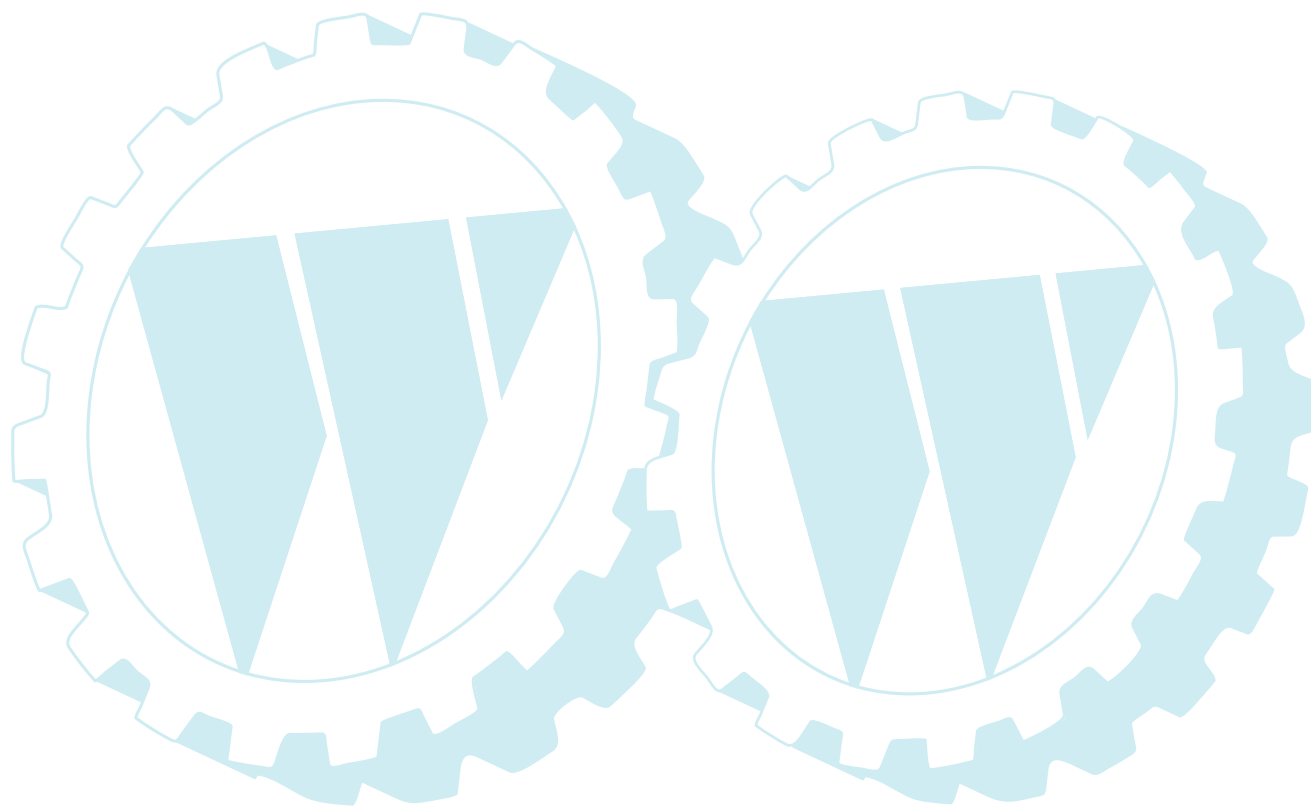


ILLUSTRATED PARTS LIST

MFG ID NO. 96081000300

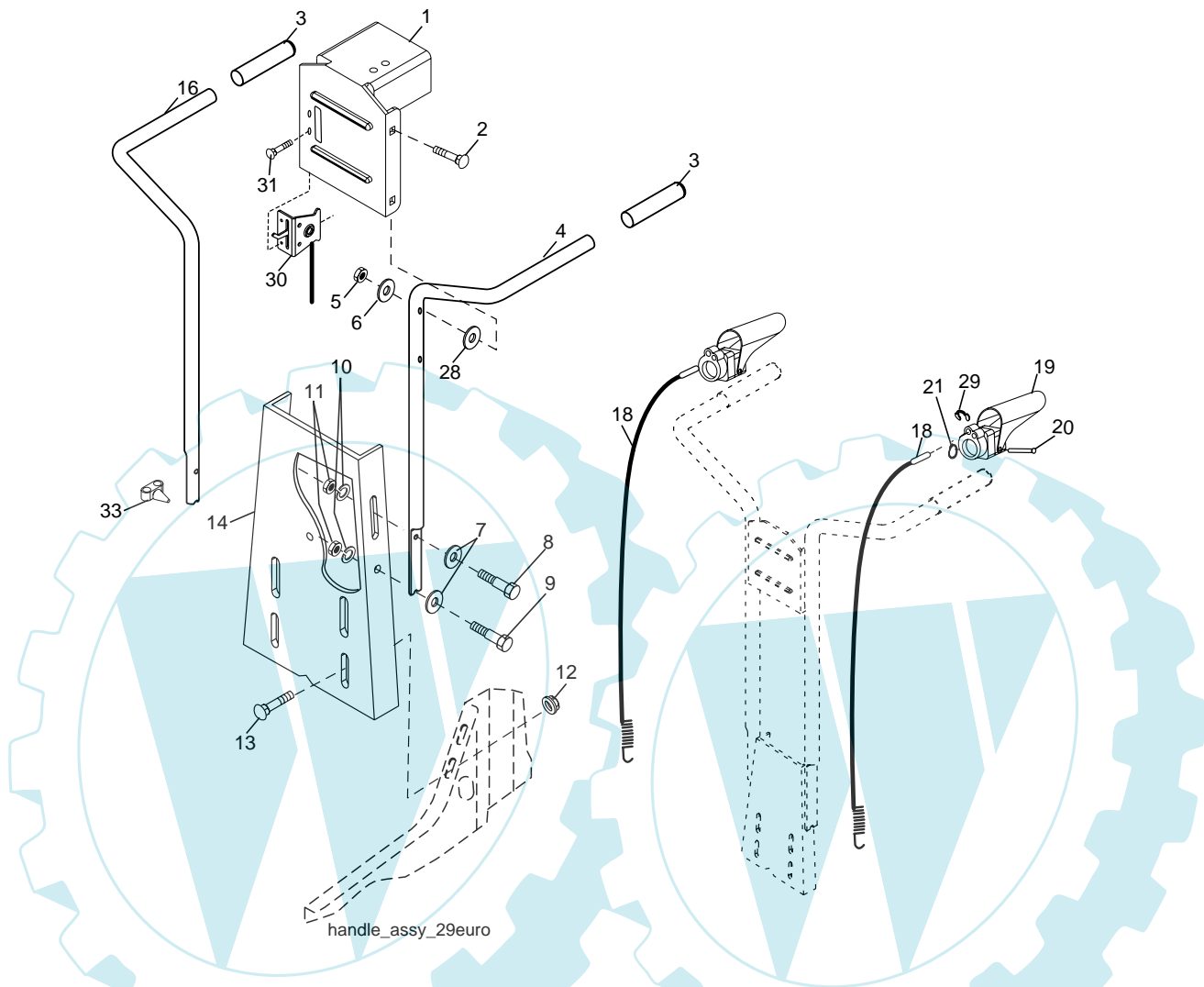
CUSTOMER CATALOG NO. PFT5060RB

PRODUCT NO. 960 81 00 -03



REPAIR PARTS

TILLER - - MODEL NUMBER PFT5060RB (96081000300), PRODUCT NUMBER 960 81 00-03
HANDLE ASSEMBLY



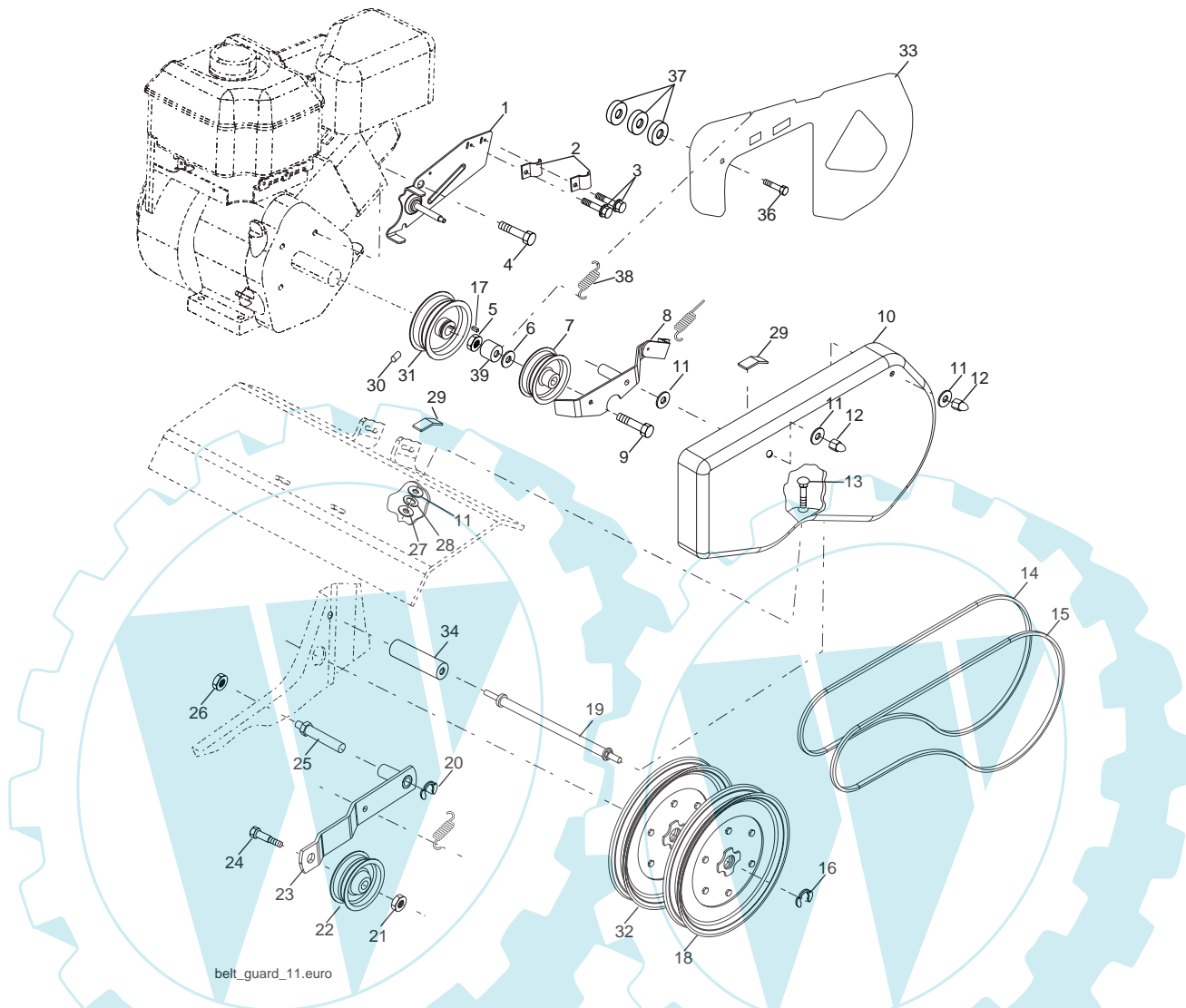
KEY NO.	PART NO.	DESCRIPTION
1	532 19 03-70	Bracket, Handle
2	872 14 05-12	Bolt, Carriage 5/16-18 unc x 1-1/2
3	532 00 92-66	Grip, Handle
4	532 16 63-76	Handle, L.H.
5	873 68 05-00	Locknut, Crown 5/16-18
6	819 11 11-16	Washer 11/32 x 11/16 x 16 Ga.
7	819 12 14-14	Washer 3/8 x 7/8 x 14 Ga.
8	874 76 05-16	Bolt, Hex Hd. 5/16-18 x 1
9	874 76 05-12	Bolt, Hex Hd 5/16-18 x 3/4
10	810 04 05-00	Washer, Lock 5/16
11	873 22 05-00	Nut, Hex 5/16-18
12	898 00 01-29	Nut, Flanged 5/16-18
13	532 18 08-47	Bolt 5/16-18 x 3/4
14	532 19 03-68	Panel, Handle

KEY NO.	PART NO.	DESCRIPTION
16	532 16 63-81	Handle, R.H.
18	532 16 68-68	Cable, Clutch
19	532 15 12-29	Lever, Control, Tine
20	532 15 48-05	Pin, Pivot Grooved
21	812 00 00-27	Ring, Klip
28	819 13 13-12	Washer 13/32 x 13/16 x 12 Ga.
29	812 00 00-59	Ring, Klip
30	532 18 06-30	Throttle Control
31	817 72 04-08	Screw 1/4-20 x 1/2
33	532 18 15-80	Clip

NOTE: All component dimensions are given in U.S. inches. 1 inch = 25.4 mm

REPAIR PARTS

TILLER - - MODEL NUMBER PFT5060RB (96081000300), PRODUCT NUMBER 960 81 00-03
BELT GUARD AND PULLEY ASSEMBLY



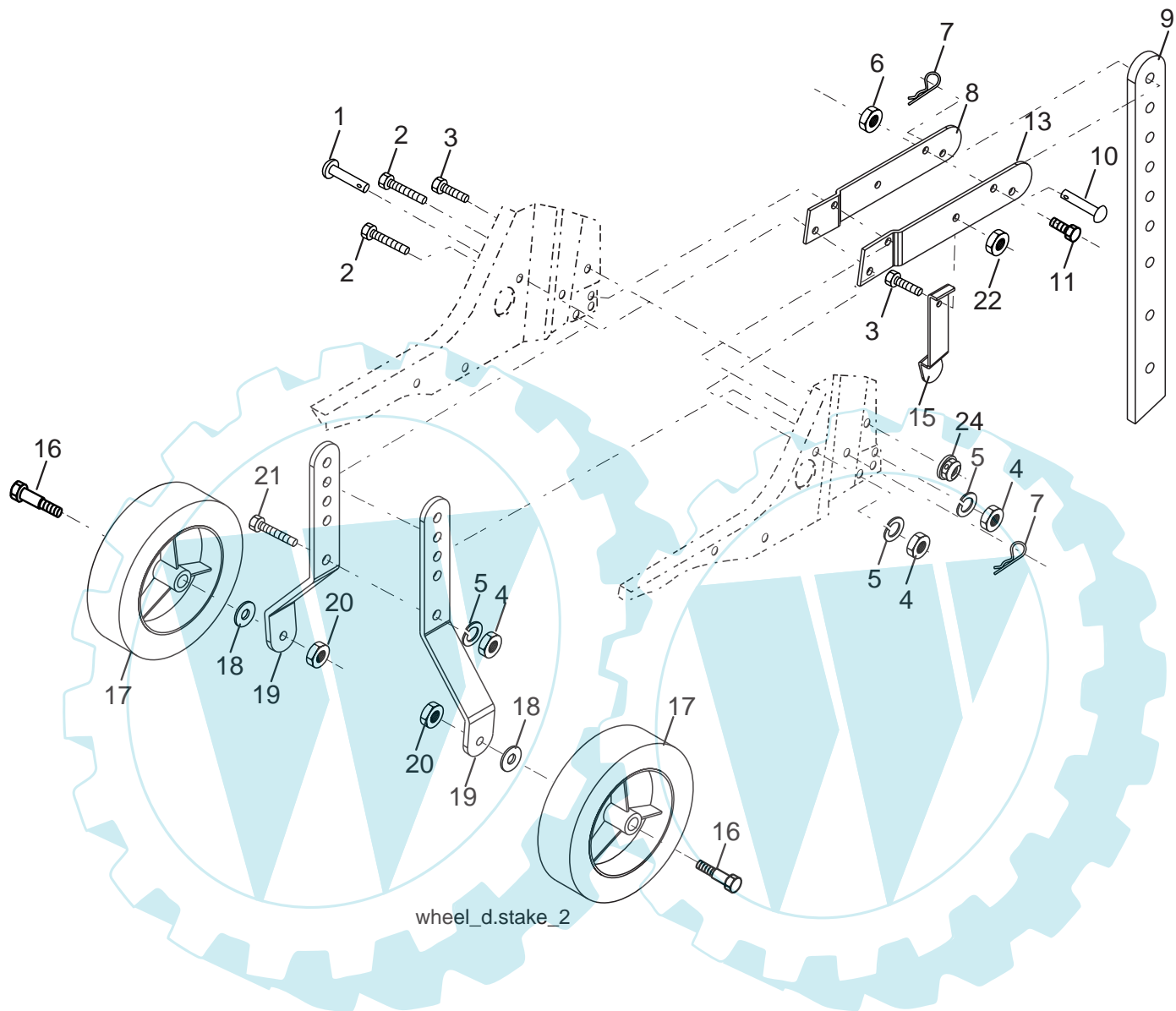
KEY NO.	PART NO.	DESCRIPTION
1	532 18 03-77	Assembly, Bracket, Belt Guard
2	532 00 94-84	Clip, Cable
3	532 08 67-77	Screw, Hex, Washer Hd., Slotted, Thd. Cutting #10-24 x 1/2 Type D
4	874 61 08-12	Bolt, Hex 1/2-20 x 3/4
5	873 68 06-00	Nut, Lock 3/8-16
6	819 13 13-16	Washer 13/32 x 13/16 x 16 Ga.
7	532 00 20-09	Pulley, Idler, Reverse
8	532 15 92-38	Assembly, Arm, Reverse Idler
9	874 76 06-28	Bolt, Hex 3/8-16 x 1-3/4
10	532 19 58-71	Guard, Belt
11	819 09 10-16	Washer 9/32 x 5/8 x 16 Ga.
12	532 10 42-13	Nut, Cap 1/4-20
13	872 14 04-05	Bolt, Carriage 1/4-20 x 5/8
14	532 13 30-35	V-Belt (Forward Motion)
15	532 00 26-14	V-Belt (Reverse)
16	812 00 00-28	Ring, Retainer
17	532 00 26-49	Key, Square
18	532 15 12-36	Sheave, Transmission Flat
19	532 18 85-02	Bolt, Belt Guard
20	812 00 00-36	Ring, Klip

KEY NO.	PART NO.	DESCRIPTION
21	873 35 06-00	Nut, Hex, Jam 3/8-16
22	532 16 18-06	Pulley, Idler
23	532 17 53-77	Arm, Idler
24	874 76 06-20	Bolt, Hex 3/8-16 x 1-1/4
25	532 10 69-68	Shaft, Idler Arm
26	873 35 05-00	Nut, Hex, Jam 5/16-18
27	873 22 04-00	Nut, fin Hex 1/4-20
28	810 04 04-00	Washer Lock Hvy Helical 1/4
29	532 10 92-27	Pad, Idler
30	823 20 04-04	Screw, Set, Socket, Headless C.P. 1/4-20 x 1/4
31	532 10 11-89	Sheave, Engine
32	532 15 12-23	Transmission, Engine
33	532 17 54-94	Shield Guard Belt
34	532 19 29-14	Spacer Split
36	874 33 05-16	Bolt 5/16 x 24 x 1
37	819 11 12-12	Washer 11/32 x 3/4 x 12
38	532 12 80-85	Spring Ext.
39	532 13 89-09	Spacer

NOTE: All component dimensions given in U.S. inches.
1 inch = 25.4 mm

REPAIR PARTS

TILLER - - MODEL NUMBER PFT5060RB (96081000300), PRODUCT NUMBER 960 81 00-03
WHEEL AND DEPTH STAKE ASSEMBLY



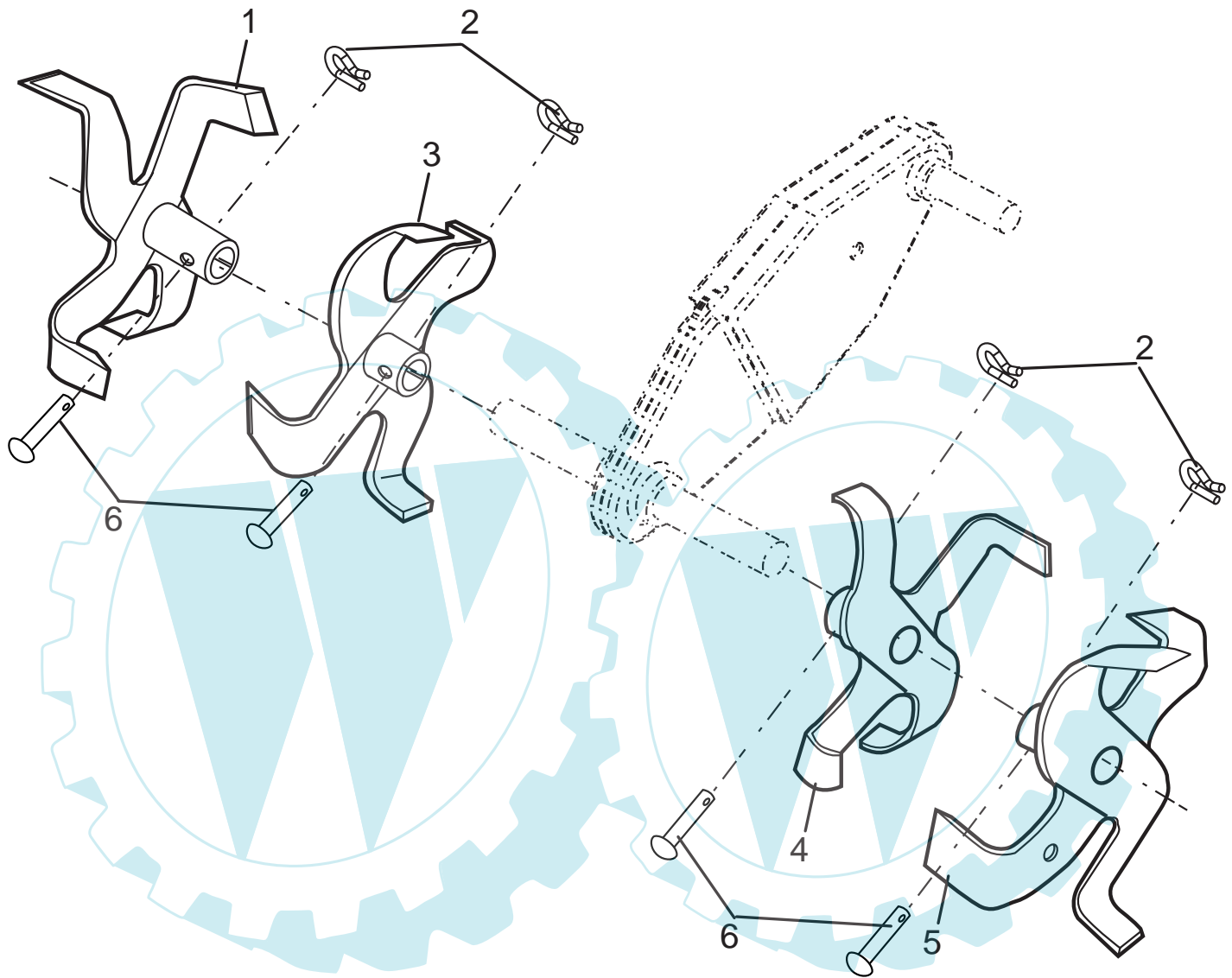
KEY NO.	PART NO.	DESCRIPTION
1	532 00 91-94	Pin, Clevis
2	874 76 05-20	Bolt, Hex 5/16-18 x 1-1/4
3	874 76 05-12	Bolt, Hex 5/16-18 x 3/4
4	873 22 05-00	Nut, Hex 5/16-18
5	810 04 05-00	Washer, Lock 5/16
6	873 80 06-00	Locknut, w/Washer 3/8-16
7	532 12 49-61	Clip, Hairpin
8	532 00 19-52	Support, Depth Stake, R.H.
9	532 12 22-33	Stake, Depth
10	532 00 03-26	Pin, Clevis
11	874 78 06-28	Bolt, Hex, Fin 3/8-16 x 1-3/4
13	532 00 19-51	Support, Depth Stake, L.H.

KEY NO.	PART NO.	DESCRIPTION
15	532 00 53-88	Spring, Stake
16	532 12 11-17	Bolt, Shoulder
17	532 00 91-88	Wheel
18	819 13 13-11	Washer 13/32 x 13/16 x 11 Ga.
19	532 00 91-90	Bracket, Wheel
20	873 68 06-00	Locknut, Crown 3/8-16
21	874 76 05-16	Bolt, Hex 5/16-18 x 1
22	873 80 05-00	Locknut, w/insert 5/16-18
24	873 97 05-00	Nut Lock Hex Flange

NOTE: All component dimensions given in U.S. inches.
1 inch = 25.4 mm

REPAIR PARTS

TILLER - - MODEL NUMBER PFT5060RB (96081000300), PRODUCT NUMBER 960 81 00-03
TINE ASSEMBLY



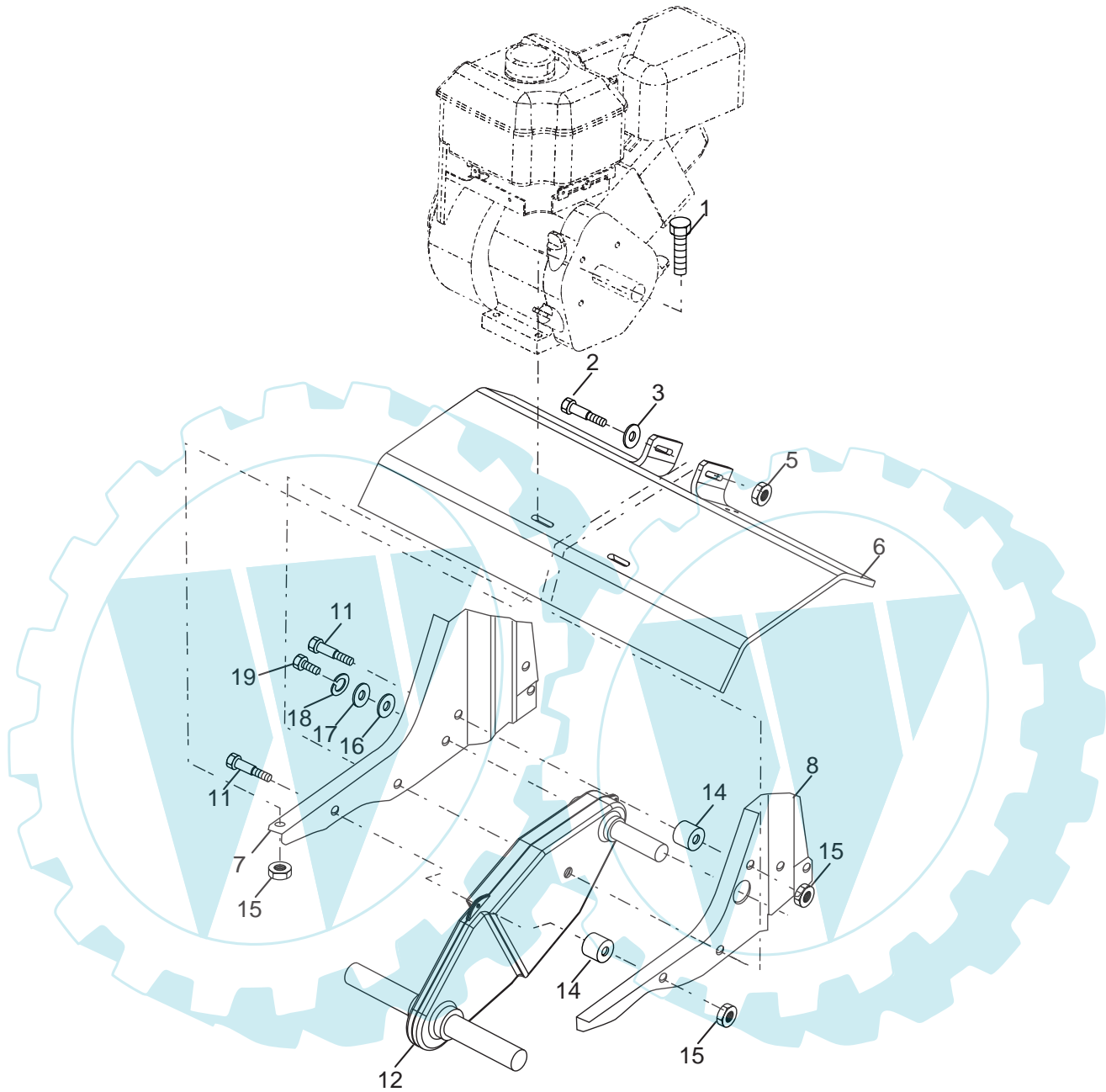
tine_ipb_3

KEY NO.	PART NO.	DESCRIPTION
1	532 15 69-26	Tine, Outer, R.H.
2	532 12 46-60	Retainer, Spring
3	532 15 69-24	Tine, Inner, R.H.

KEY NO.	PART NO.	DESCRIPTION
4	532 15 69-23	Tine, Inner, L.H.
5	532 15 69-25	Tine, Outer, L.H.
6	532 00 49-29	Pin, Clevis

REPAIR PARTS

TILLER - - MODEL NUMBER PFT5060RB (96081000300), PRODUCT NUMBER 960 81 00-03
TRANSMISSION



transmission_11

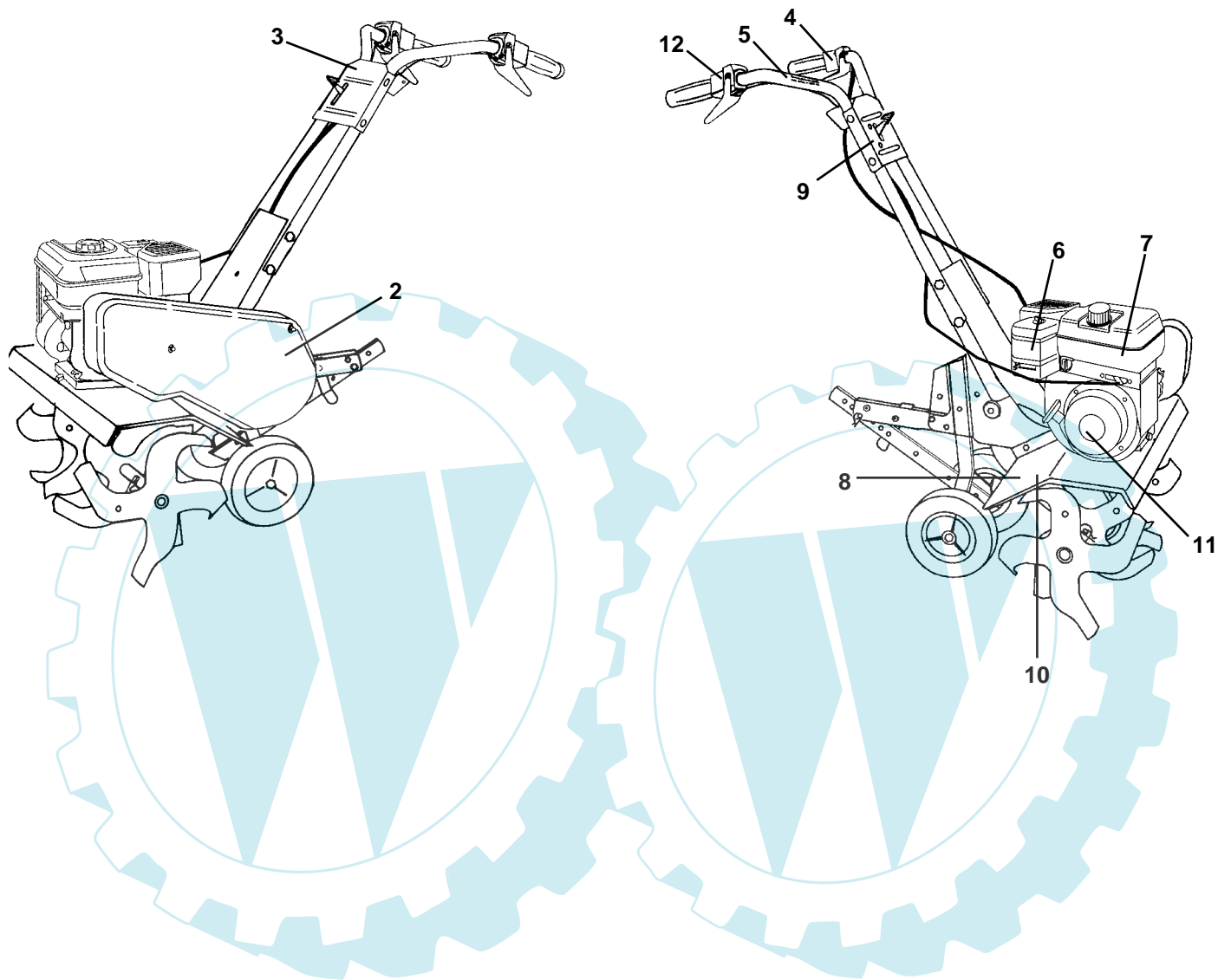
KEY NO.	PART NO.	DESCRIPTION
1	874 76 05-24	Bolt, Hex 5/16-18 x 1-1/2 Gr. 2
2	874 78 06-52	Bolt, Hex, Fin 3/8-16 x 3-1/4
3	819 13 13-11	Washer 13/32 x 13/16 x 11
5	873 90 06-00	Nut Lock Flg. 3/8-16 unc
6	532 12 47-06	Shield, Tine
7	532 18 81-95	Bracket, Engine, R.H.
8	532 16 58-34	Bracket, Engine, L.H.
11	532 18 79-12	Bolt Shoulder 5/16-18 unc x 2.5
12	532 15 12-22	Transmission
14	532 00 91-73	Spacer, Split
15	873 97 05-00	Nut, Lock Hex Flange

KEY NO.	PART NO.	DESCRIPTION
16	819 09 14-12	Washer 9/32 x 7/8 x 12 Ga.
17	819 09 20-16	Washer 9/32 x 1-1/4 x 16 Ga.
18	810 04 04-00	Washer, Lock 1/4
19	874 61 04-12	Bolt, Hex 1/4-28 x 3/4 Gr. 5
20	-----	Engine, Briggs Model 126302 (Order parts from engine Manufacturer)

NOTE: All component dimensions given in U.S. inches.
1 inch = 25.4 mm

REPAIR PARTS

TILLER - - MODEL NUMBER PFT5060RB (96081000300), PRODUCT NUMBER 960 81 00-03
DECALS



KEY NO.	PART NO.	DESCRIPTION
2	532 19 48-88	Decal, Logo
3	532 18 97-98	Decal, Logo
4	532 15 87-00	Decal, Control Forward
5	532 15 98-77	Decal, Hand Placement
6	532 19 48-69	Decal, Briggs & Stratton
7	532 17 10-77	Decal, B&S OHV
8	532 17 65-57	Decal, Warning, 4-Sym
9	532 15 76-07	Decal, Stop/Idle/Fast
10	532 14 54-37	Decal, CE
11	532 17 10-78	Decal, Rewind Intek
12	532 15 87-01	Decal, Control Reverse
--	532 19 48-97	Manual, Owner's (Euro)
--	532 19 48-98	Manual, Owner's (Scan)